



TS21WN SERIES WPII Enclosure / IC01/ IP24



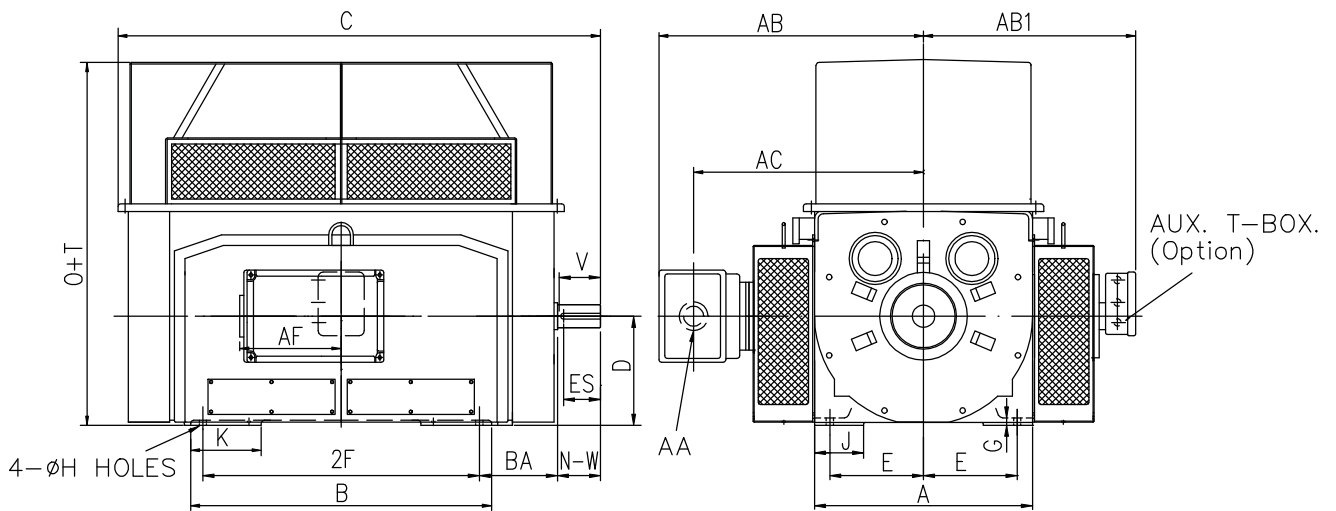
These motors are specifically designed for outdoor applications where the motor is not likely to be protected by other structures.

Feature	Standard	Available Option
Power Range	450 - 2500 HP	
Poles	2 - 8P	10P and above
Frame Sizes	5810, 6310, 6810	
Voltage	2300 , 4000 , 4160V	3300~6600V
Hz	60	50
Service Factor	1.0	1.15
Frame	Cast iron	N/A
Bearing Housings	Cast iron	N/A
Main Terminal Box	Cast iron	Large Fabricated steel
Auxiliary Boxes	Cast iron	NEMA 4X
Shaft	AISI 1045 for 5810 and all frames 2P AISI 1035 for 6310-6810 4P and above	AISI 4140
Rotor	Fabricated copper	N/A
Lamination Material	High grade low loss silicon steel	N/A
Ventilator	Fabricated steel with filters	N/A
Insulation	Class F- VPI treatment	N/A
Rotation	C.W. Viewed from non-drive end (Uni-directional)	C.C.W or Bi-directional
Paint	PU	Special paint system
Paint Color	Wooden Grey(Munsell 7.5Y 8.9/0.4)	Other colors
Bearing Type	Ball bearing	Sleeve bearing
Vibration	Meet NEMA MG-1	Special balance

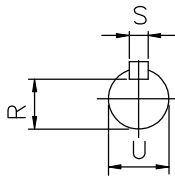
FRAME ASSIGNMENT (3 PHASE 2300,4000,4160V 60HZ)

HP FRAME POLE	450	500	600	700	800	900	1000	1250	1350	1500	1750	2000	2250	2500
2P	—	—	5810	5810	5810	5810	5810	5810	5810	5810	6310	6310	6810	6810
4P	—	—	5810	5810	5810	5810	5810	5810	5810	6310	6310	6310	6810	6810
6P	5810	5810	5810	5810	5810	5810	6310	6310	6310	6810	6810	6810	—	—
8P	5810	5810	5810	6310	6310	6310	6810	6810	6810	6810	—	—	—	—

OUTLINE DIMENSION



- Note: 1) Dimension D tolerance : +0.00 inch ~ -0.06 inch.
 2) Dimension U tolerance : +0.00 inch ~ -0.001 inch.
 3) Dimension R tolerance : +0.00 inch ~ -0.015 inch.
 4) Dimension V = Length of shaft available for coupling.
 5) Dimensions A, B, C, G, AB, AB1, O+T, HF are approximate values.
 6) For direct coupled. Data for belt drive on request.



DETAIL OF SHAFT END

FRAME NO.	POLES	A	B	C	D	E	2F	G	H	J	K	O+T	AA	AB
5810	2	28.0	40.15	62.2	14.50	11.50	36.00	1.6	1.10	6.30	9.80	47.2	NPT4"	38.6
	4~8	28.0	40.15	65.0	14.50	11.50	36.00	1.6	1.10	6.30	9.80	47.2	NPT4"	38.6
6310	2	31.5	45.28	69.4	15.75	13.50	40.00	1.8	1.38	6.50	9.80	54.2	NPT4"	40.4
	4~8	31.5	45.28	71.0	15.75	13.50	40.00	1.8	1.38	6.50	9.80	54.2	NPT4"	40.4
6810	2	36.2	57.50	80.2	17.00	13.50	45.00	1.8	1.65	9.45	14.50	58.6	NPT4"	42.8
	4~8	36.2	57.50	83.4	17.00	13.50	45.00	1.8	1.65	9.45	14.50	58.6	NPT4"	42.8

FRAME	POLES	AB1	AC	AF	BA	SHAFT END						BEARING		APPROX. WEIGHT(LBS)
						N-W	ES	V ⁴⁾	U	R	S	D.E.	O.D.E.	
5810	2	27.3	31.5	16.14	10.00	5.50	4.75	5.30	2.875	2.450	0.75	6218C3	6218C3	5290
	4~8	27.3	31.5	16.14	10.00	8.30	6.70	8.10	4.375	3.817	1.00	6224C3	6224C3	5290
6310	2	29.0	33.27	16.14	11.00	6.70	5.50	6.50	3.125	2.704	0.75	6218C3	6218C3	7490
	4~8	29.0	33.27	16.14	11.00	8.30	6.70	8.10	4.375	3.817	1.00	6224C3	6224C3	7490
6810	2	31.5	35.63	16.14	13.98	6.70	5.50	6.50	3.375	2.880	0.875	6318C3	6318C3	9920
	4~8	31.5	35.63	16.14	13.98	9.85	8.66	9.60	5.000	4.296	1.25	6228C3	6224C3	9920

Unit: inches